
REPLACEMENT PARTS MANUAL

WALL MOUNTED PACKAGED AIR CONDITIONER

Models:

W12AAAA W12AAD W12AAAK

General Notes

- Revised and/or additional pages may be issued from time to time.
- A complete and current manual consists of pages shown in the following contents section.

Important

- Contact the installing and/or local Bard distributor for all parts requirements. Make sure to have the complete model and serial number available from the unit rating plates.

Contents

Description	Page
Cabinet Components	
♦ Exploded View.....	2
♦ Usage List	3
Functional Components	
♦ Exploded View.....	4
♦ Usage List	5
Control Panel (Circuit Breaker Option)	
♦ Layout View	6
♦ Usage List	7
Blower Assembly	
♦ Exploded View.....	8
♦ Usage List	8

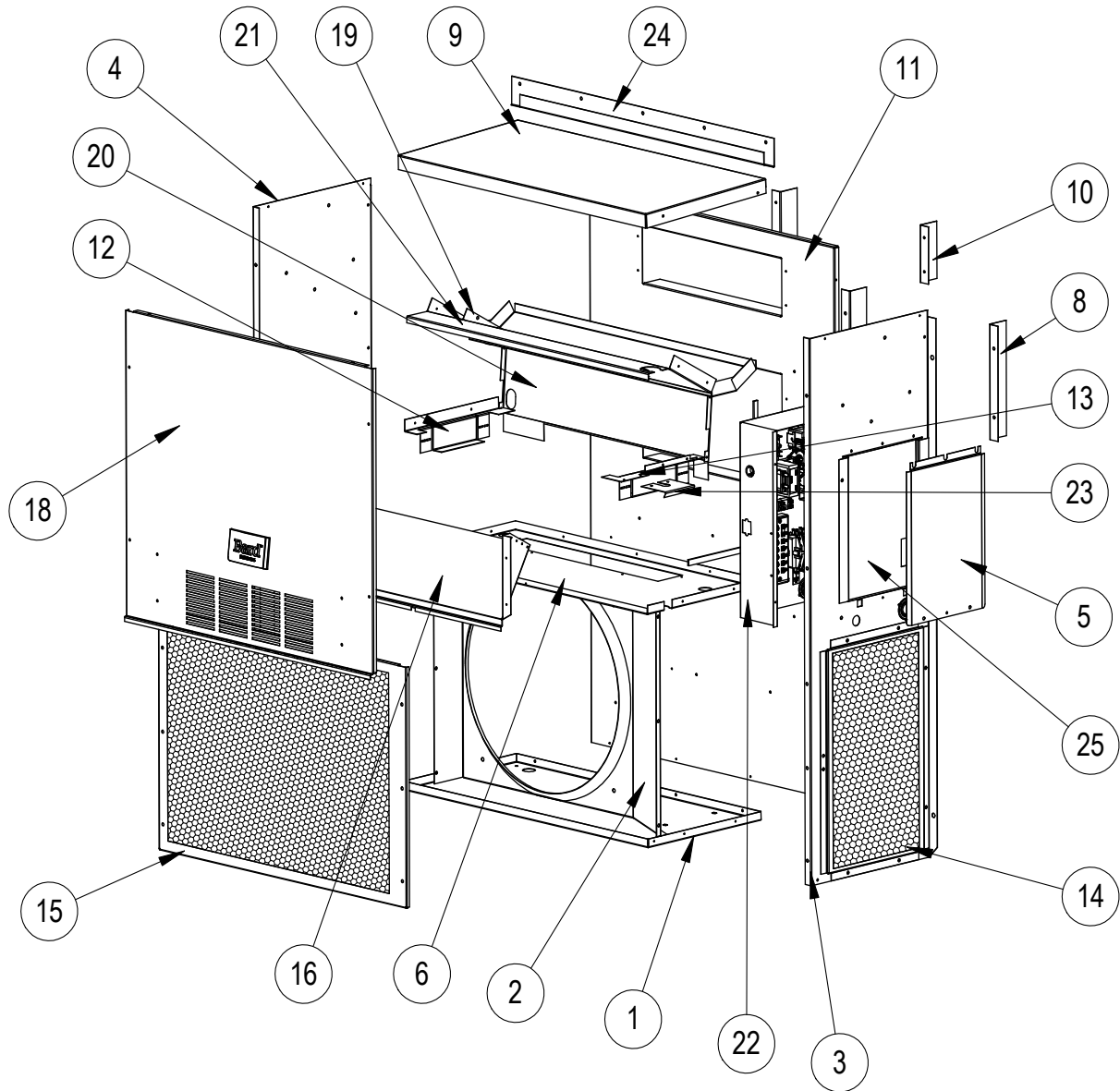


Climate Control Solutions

Bard Manufacturing Company, Inc.
Bryan, Ohio 43506
www.bardvac.com

Manual: 2110-1419E
Supersedes: 2110-1419D
Date: 7-21-16

CABINET COMPONENTS



SEXP-724

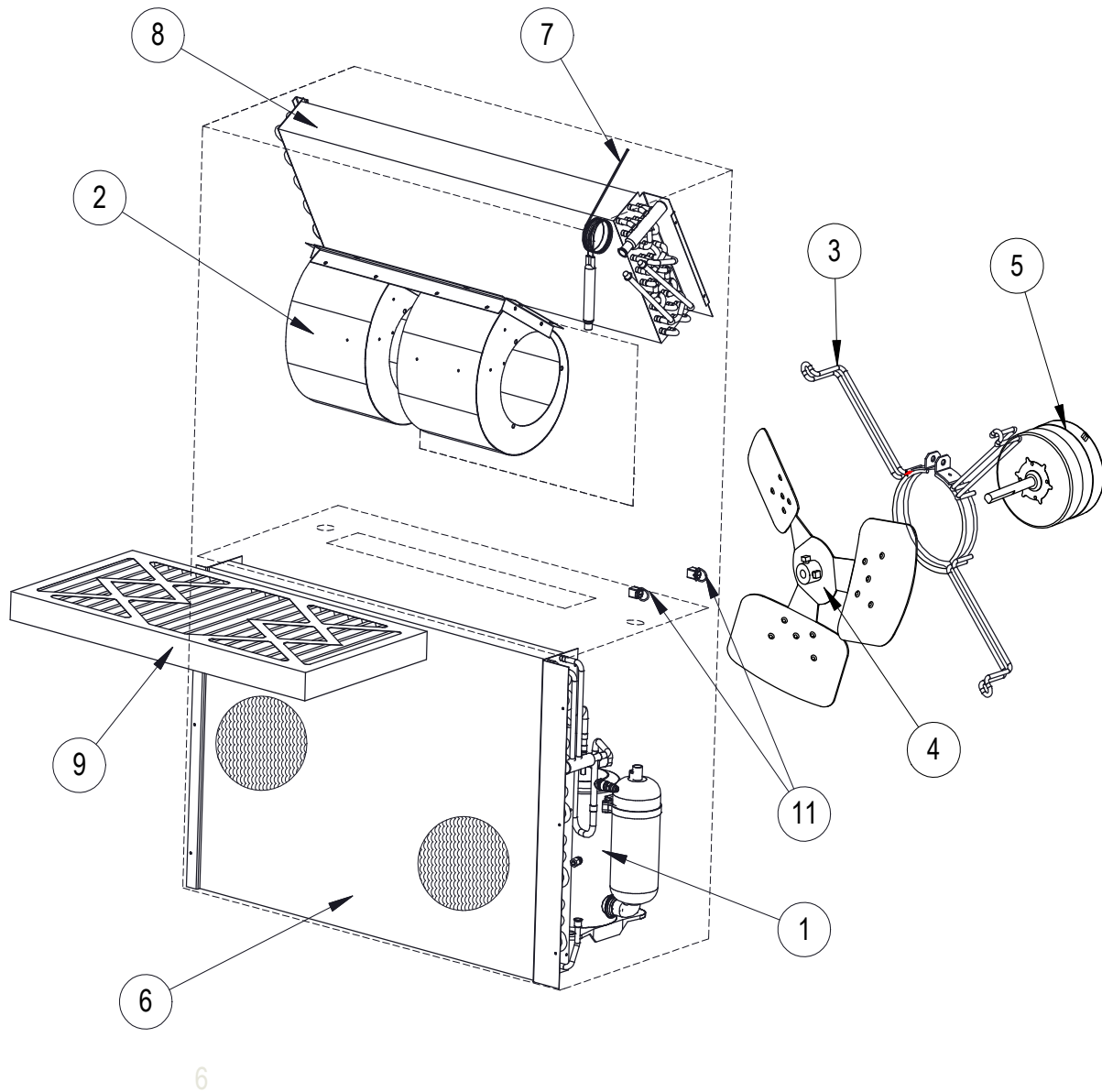
CABINET COMPONENTS

Drawing No.	Part No.	Description	W12AAAA	W12AAAD	W12AAAK
1	S127-491	Lower Base	X		
2	125-071	Fan Shroud	X		
3	S501-867-* ①	Right Side	X		
3	S501-901-* ①②	Right Side	X		
4	S501-868-* ①	Left Side	X		
4	S501-902-* ①②	Left Side	X		
5	S133-264-* ①	Control Panel Cover (Outer)	X		
6	520-243	Condenser Partition	X		
6	520-525 ②	Condenser Partition	X		
8	111-214	Return Air Frame Angle			2
9	506-148-* ①	Top	X		
9	506-361-* ①②	Top	X		
10	111-036	Outlet Air Frame Angle			2
11	509-325	Back	X		
11	509-333 ②	Back	X		
12	113-529	Left Filter Bracket	X		
13	113-532	Right Filter Bracket	X		
14	118-095-* ①	Side Grille			2
15	118-096-* ①	Condenser Grille	X		
16	BFAD-1	Fresh Air Damper Assembly	X		
18	S514-295-* ①	Upper Front	X		
18	S514-299-* ①②	Upper Front	X		
19	113-176	Heater Bracket	X		
20	121-504	Return Partition	X		
21	S121-505	Drain Pan	X		
22	Control Panel Assembly	See Control Panel Assembly Drawing and Parts List	X		
23	135-138	Fill Plate	X		
24	113-178-* ①	Top Rain Flashing	X		
25	133-263-* ①	Control Panel Cover (Inner)	X		
26	110-214	Return Flange	X		

① Exterior cabinet parts are manufactured with various paint color options. To ensure the proper paint color is received, reference the following codes: Beige -X, White -1, Buckeye Gray -4, Desert Brown -5, Dark Bronze -8

② Nonfiberglass insulation option

FUNCTIONAL COMPONENTS



SEXP-725

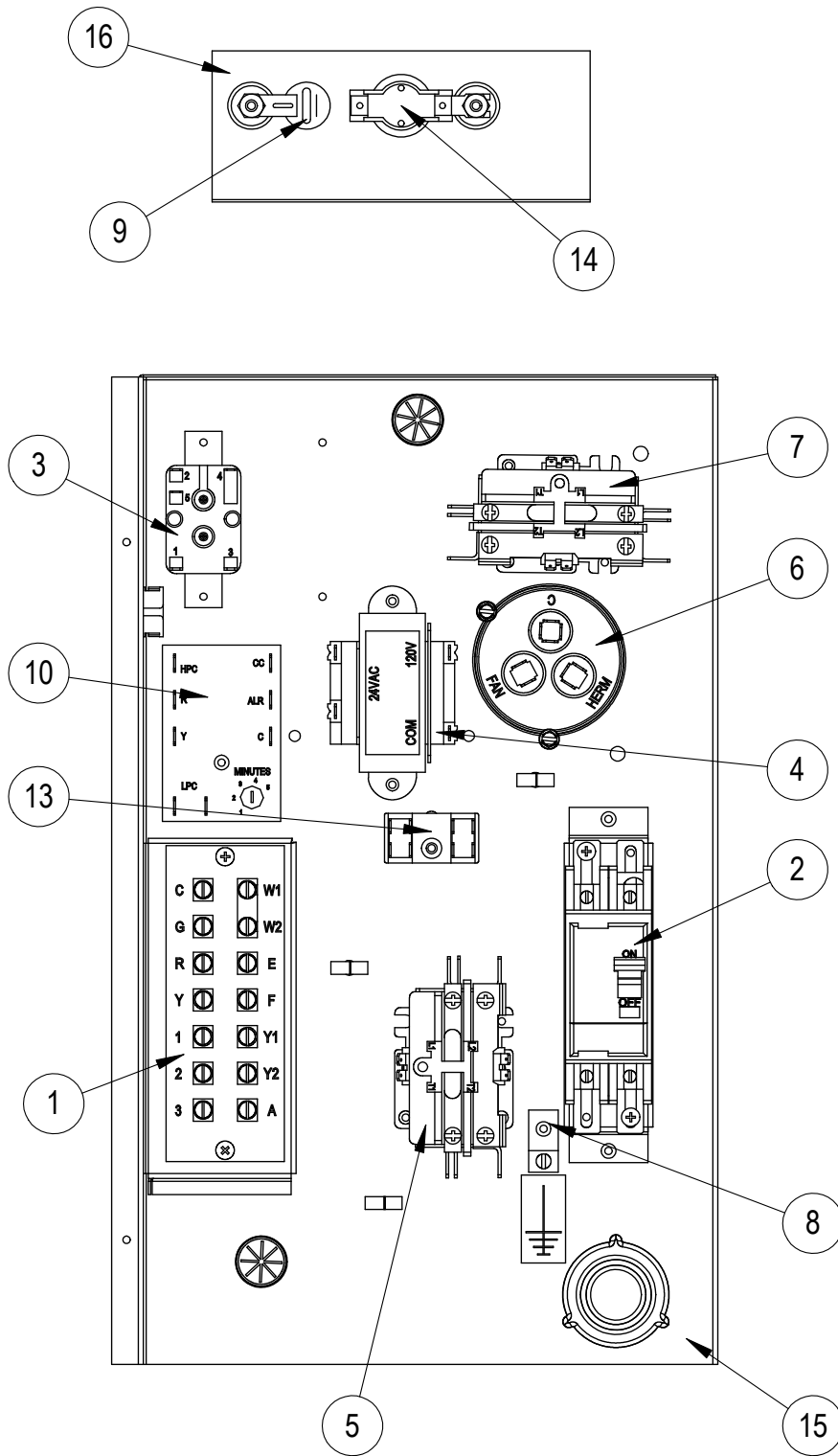
FUNCTIONAL COMPONENTS

Drawing No.	Part No.	Description	W12AAAA	W12AAAK	W12AAAD
1	8000-406	Compressor	X		
1	8000-407	Compressor		X	
1	8000-408	Compressor			X
2	900-343	Blower Assembly 240V	X		X
2	900-344	Blower Assembly 115V		X	
3	8200-001	Fan Motor Mount	X	X	X
4	5151-059	Fan Blade	X	X	X
5	8101-026	Condenser Motor 240V	X		X
5	8101-027	Condenser Motor 115V		X	
6	5051-194BX	Condenser Coil	X	X	X
7	800-0442	Cooling Capillary Assembly	X		X
7	800-0443	Cooling Capillary Assembly		X	
8	5060-193BX	Evaporator Coil	X	X	X
9	7003-073	Air Filter 1" Washable	X	X	X
9	7004-056	Air Filter 1" Throw Away	X	X	X
9	7004-057	Air Filter 2" Pleated ①	X	X	X
11	1171-066	#82 1/4 Turn Fastener	X	X	X
11	1171-065	#82 Receptacle	X	X	X
11	1171-064	Retainer Clip	X	X	X
NS	1804-0327	High Pressure Switch Service Kit (Flare)	X	X	X
NS	1804-0386	Low Pressure Switch Service Kit (Flare)	X	X	X
NS	CMA-28	Low Ambient Control Service Kit (Flare) ①	X	X	X
NS	8402-185	Compressor Overload	X		
NS	8402-186	Compressor Overload		X	
NS	8402-187	Compressor Overload			X
NS	5201-021	Filter Drier	X	X	X
NS	6031-009	Coremax Valve Core	X	X	X

NS – Not Shown

① – Optional on these models

CONTROL PANEL (CIRCUIT BREAKER OPTION)



SEXP-726

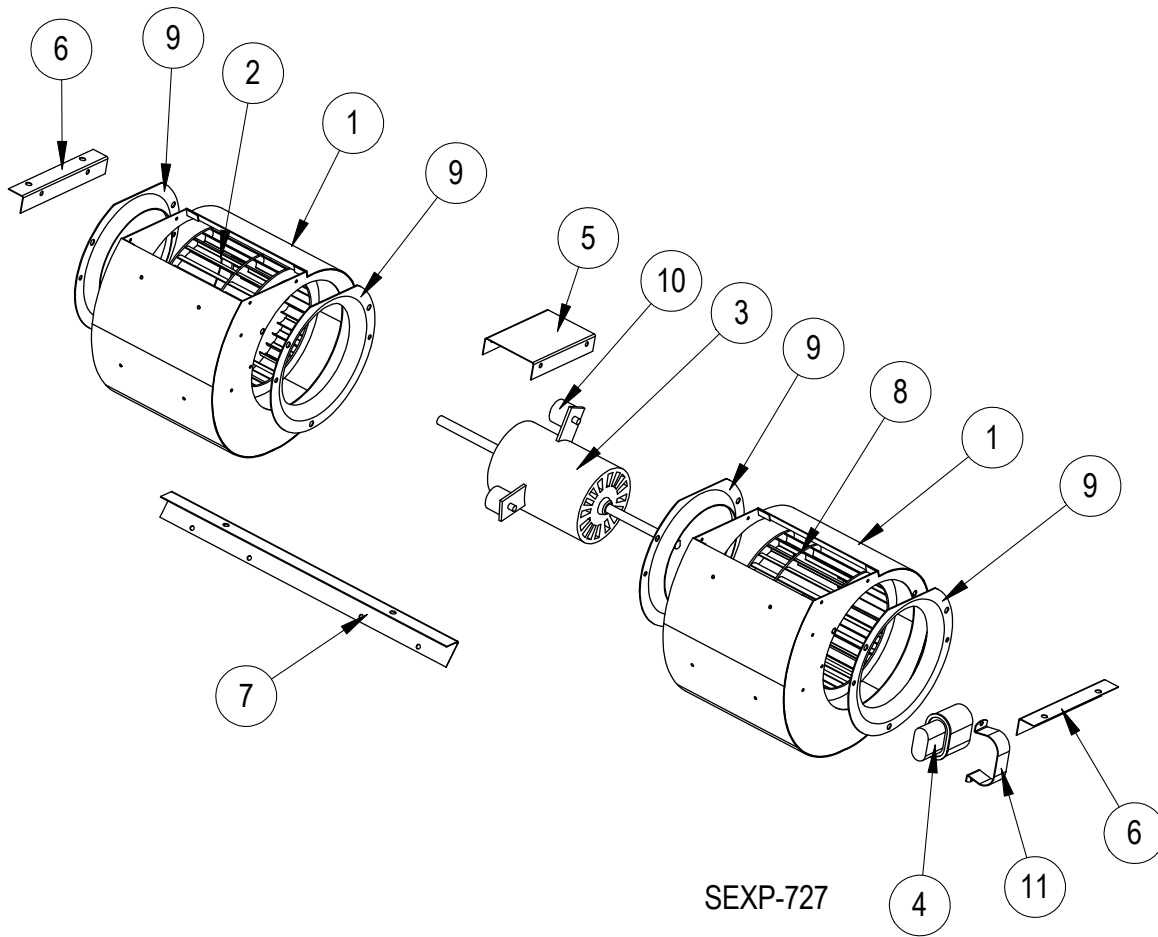
CONTROL PANEL (CIRCUIT BREAKER OPTION)

Drawing No.	Part No.	Description	W12AAAA0Z	W12AAAA03	W12AAAA05	W12AAAA00	W12AAAAK02	W12AAAD0Z	W12AAAD03
1	8607-024	Low Voltage Terminal Strip	X	X	X	X	X	X	X
2	8615-060	Circuit Breaker 15A 2 pole 240V	X					X	
2	8615-035	Circuit Breaker 20A 2 pole 240V		X					X
2	8615-037	Circuit Breaker 30A 2 pole 240V			X				
3	8201-009	Blower Control Relay	X	X	X	X	X	X	X
4	8407-034	Transformer	X	X	X			X	X
4	8407-045	Transformer				X	X		
5	8401-033	Compressor Contactor	X	X	X	X	X	X	X
6	8552-050	Compressor Capacitor	X	X	X				
6	8552-062	Compressor Capacitor				X	X		
6	8552-049	Compressor Capacitor						X	X
7	8401-006	Heat Contactor		X	X		X		X
8	8611-006	Ground Terminal	X	X	X	X	X	X	X
9	8402-093	Thermal Cut Off		X	X		X		X
10	8201-088	Compressor Control Module	X	X	X	X	X	X	X
13	8201-062	Alarm Relay ①	X	X	X	X	X	X	X
13	8607-017	Terminal Block ① (Shown)	X	X	X	X	X	X	X
14	8402-084	Limit		X	X		X		X
15	117-355	Control Panel	X	X	X	X	X	X	X
16	8604-142	Heat Strip 3.6KW		X					X
16	8604-143	Heat Strip 5.0KW			X				
16	8604-141	Heat Strip 2.2KW					X		
NS	4095-177	Wiring Diagram		X	X				X
NS	4095-176	Wiring Diagram	X					X	
NS	4095-178	Wiring Diagram				X			
NS	4095-179	Wiring Diagram					X		

NS – Not Shown

① – Optional on these models

BLOWER ASSEMBLY



SEXP-727

Drawing No.	Part No.	Description	900-343	900-344
1	151-114	Blower Housing *	X	X
2	5152-085	Wheel (CCW) Left	X	X
3	8101-028	Blower Motor (230/208)	X	
3	8101-029	Blower Motor (115)		X
4	8552-001	Capacitor 4MFD	X	
4	8552-002	Capacitor 5MFD		X
5	141-429	Center Blower Support	X	X
6	105-908	Side Angle	2	2
7	105-1355	Front Brace	X	X
8	5152-084	Wheel (CW) Right	X	X
9	144-180	Inlet Ring	4	4
10	5451-018	Mounting Grommet	3	3
11	8550-003	Capacitor Bracket	1	1

* Replace with new rings