

---

# REPLACEMENT PARTS MANUAL

---

## WALL-MOUNTED PACKAGED HEAT PUMP

Models:

W42HA-A W42HADA W48HA-A W48HADA W60HA-A W60HADA  
W42HA-B W42HADB W48HA-B W48HADB W60HA-B W60HADB  
W42HA-C W42HADC W48HA-C W48HADC W60HA-C W60HADC

---

### Contents

| Description                                    | Page | Description           | Page |
|--|------|-----------------------|------|
| Cabinet Components                             |      | Blower Assembly       |      |
| ♦ Exploded View .....                          | 2    | ♦ Exploded View ..... | 14   |
| ♦ Usage List .....                             | 3    | ♦ Usage List .....    | 14   |
| ♦ Usage List .....                             | 4    | ♦ Exploded View ..... | 15   |
| Functional Components – Standard Units         |      | ♦ Usage List .....    | 15   |
| ♦ Exploded View .....                          | 6    |                       |      |
| ♦ Usage List .....                             | 7    |                       |      |
| Functional Components – Dehumidification Units |      |                       |      |
| ♦ Exploded View .....                          | 8    |                       |      |
| ♦ Usage List .....                             | 9    |                       |      |
| Control Panel – A Voltage Models               |      |                       |      |
| ♦ Layout View .....                            | 10   |                       |      |
| ♦ Usage List .....                             | 11   |                       |      |
| Control Panel – B and C Voltage Models         |      |                       |      |
| ♦ Layout View .....                            | 12   |                       |      |
| ♦ Usage List .....                             | 13   |                       |      |

### General Notes

- Revised and/or additional pages may be issued from time to time.
- A complete and current manual consists of pages shown in the following contents section.

### Important

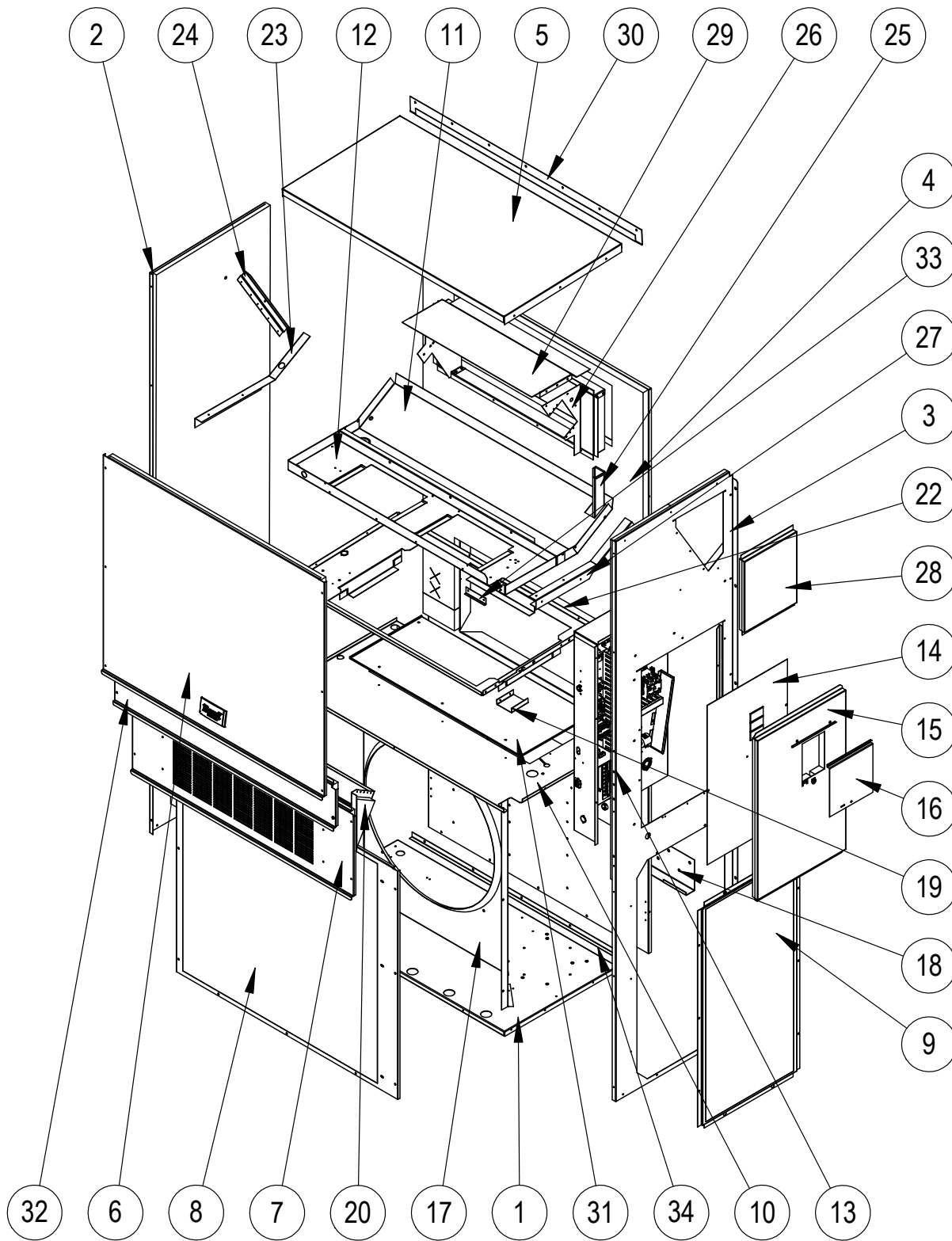
- Contact the installing and/or local Bard distributor for all parts requirements. Make sure to have the complete model and serial number available from the unit rating plates.



Bard Manufacturing Company, Inc.  
Bryan, Ohio 43506  
www.bardhvac.com

Manual: 2110-1528  
Supersedes: **NEW**  
Date: 1-15-16

# CABINET COMPONENTS



This drawing is referenced in tables on pages 3 and 4

SEXP-792

# CABINET COMPONENTS

| Dwg No. | Part Number         | Description                                  | W42HA-A, B | W42HA-C | W42HADA, DB | W42HADC | W48HA-A, B | W48HA-C | W48HADA, DB | W48HADC |
|---------|---------------------|--|------------|---------|-------------|---------|------------|---------|-------------|---------|
| 1       | 127-425             | Lower Base                                   | X          | X       | X           | X       | X          | X       | X           | X       |
| 1       | 127-430 ③           | Lower Base                                   | X          | X       | X           | X       | X          | X       | X           | X       |
| 2       | S501-686-* ①        | Left Side                                    | X          | X       | X           | X       | X          | X       | X           | X       |
| 2       | S501-699 ②          | Left Side                                    | X          | X       | X           | X       | X          | X       | X           | X       |
| 2       | S501-701 ③          | Left Side                                    | X          | X       | X           | X       | X          | X       | X           | X       |
| 3       | S501-840-* ①        | Right Side                                   | X          | X       | X           | X       | X          | X       | X           | X       |
| 3       | S501-924 ②          | Right Side                                   | X          | X       | X           | X       | X          | X       | X           | X       |
| 3       | S501-925 ③          | Right Side                                   | X          | X       | X           | X       | X          | X       | X           | X       |
| 4       | S508-098            | Back   | X          | X       | X           | X       | X          | X       | X           | X       |
| 4       | S508-275 ②          | Back   | X          | X       | X           | X       | X          | X       | X           | X       |
| 4       | S508-221 ③          | Back   | X          | X       | X           | X       | X          | X       | X           | X       |
| 5       | S507-307-* ①        | Top  | X          | X       | X           | X       | X          | X       | X           | X       |
| 5       | S507-309 ②          | Top  | X          | X       | X           | X       | X          | X       | X           | X       |
| 5       | S507-310 ③          | Top  | X          | X       | X           | X       | X          | X       | X           | X       |
| 6       | S515-230-* ①        | Upper Front                                  | X          | X       | X           | X       | X          | X       | X           | X       |
| 6       | S514-231 ②          | Upper Front                                  | X          | X       | X           | X       | X          | X       | X           | X       |
| 6       | S514-232 ③          | Upper Front                                  | X          | X       | X           | X       | X          | X       | X           | X       |
| 7       | S553-522-* ①        | Vent Option Door                             | X          | X       | X           | X       | X          | X       | X           | X       |
| 7       | S553-529-* ①        | Vent Option Door with ERV                    | X          | X       | X           | X       | X          | X       | X           | X       |
| 7       | S553-525 ②          | Vent Option Door                             | X          | X       | X           | X       | X          | X       | X           | X       |
| 7       | S553-527 ③          | Vent Option Door                             | X          | X       | X           | X       | X          | X       | X           | X       |
| 8       | 118-048-* ①         | Condenser Grille                             | X          | X       | X           | X       | X          | X       | X           | X       |
| 8       | 118-064 ②           | Condenser Grille                             | X          | X       | X           | X       | X          | X       | X           | X       |
| 8       | 118-072 ③           | Condenser Grille                             | X          | X       | X           | X       | X          | X       | X           | X       |
| 9       | 118-057-* ①         | Side Grille                                  | 2          | 2       | 2           | 2       | 2          | 2       | 2           | 2       |
| 9       | 118-063 ②           | Side Grille                                  | 2          | 2       | 2           | 2       | 2          | 2       | 2           | 2       |
| 9       | 118-073 ③           | Side Grille                                  | 2          | 2       | 2           | 2       | 2          | 2       | 2           | 2       |
| 10      | S521X503            | Condenser Partition                          | X          | X       | X           | X       | X          | X       | X           | X       |
| 11      | S123-122            | Drain Pan                                    | X          | X       | X           | X       | X          | X       | X           | X       |
| 11      | S123-125 ②③         | Drain Pan                                    | X          | X       | X           | X       | X          | X       | X           | X       |
| 12      | 121X463             | Blower Partition                             | X          | X       | X           | X       | X          | X       | X           | X       |
| 13      | Control Panel Assy. | See Control Panel Assy. Drawing & Parts List | X          | X       | X           | X       | X          | X       | X           | X       |
| 14      | S132-277            | Control Panel Cover (Inner)                  | X          |         | X           |         | X          |         | X           |         |
| 14      | S132-278            | Control Panel Cover (Inner)                  |            | X       |             | X       |            | X       |             | X       |
| 15      | S533-279-* ①        | Control Panel Cover (Outer)                  | X          | X       | X           | X       | X          | X       | X           | X       |
| 15      | S533-273 ②          | Control Panel Cover (Outer)                  | X          | X       | X           | X       | X          | X       | X           | X       |
| 15      | S533-274 ③          | Control Panel Cover (Outer)                  | X          | X       | X           | X       | X          | X       | X           | X       |
| 16      | S153-218-* ①        | Disconnect Access Door                       | X          | X       | X           | X       | X          | X       | X           | X       |
| 16      | S153-387 ②          | Disconnect Access Door                       | X          | X       | X           | X       | X          | X       | X           | X       |
| 16      | S153-405 ③          | Disconnect Access Door                       | X          | X       | X           | X       | X          | X       | X           | X       |
| 17      | 125-024             | Fan Shroud                                   | X          | X       | X           | X       | X          | X       | X           | X       |
| 17      | 125-058 ③           | Fan Shroud                                   | X          | X       | X           | X       | X          | X       | X           | X       |
| 18      | 113-140             | Bottom Mounting Bracket                      | X          | X       | X           | X       | X          | X       | X           | X       |
| 19      | 137-209             | Fill   | X          | X       | X           | X       | X          | X       | X           | X       |
| 20      | BFAD-5              | Fresh Air Damper Assembly                    | X          | X       | X           | X       | X          | X       | X           | X       |
| 22      | 131X099             | Filter Tray                                  | X          | X       | X           | X       | X          | X       | X           | X       |
| 23      | 105X877             | Left Side Support                            | X          | X       | X           | X       | X          | X       | X           | X       |
| 24      | 147-046             | Left Evaporator Support                      | X          | X       | X           | X       | X          | X       | X           | X       |
| 25      | 135-377             | Raceway                                      | 2          | 2       | 2           | 2       | 2          | 2       | 2           | 2       |
| 26      | S111X034            | Outlet Air Frame Assembly                    | X          | X       | X           | X       | X          | X       | X           | X       |
| 27      | 105X878             | Right Side Support                           | X          | X       | X           | X       | X          | X       | X           | X       |
| 28      | S543-172-* ①        | Right Side Cover Plate (Outer)               | X          | X       | X           | X       | X          | X       | X           | X       |
| 28      | S543-176 ②          | Right Side Cover Plate (Outer)               | X          | X       | X           | X       | X          | X       | X           | X       |
| 28      | S543-177 ③          | Right Side Cover Plate (Outer)               | X          | X       | X           | X       | X          | X       | X           | X       |
| 29      | 135-129             | Heat Shield                                  | X          | X       | X           | X       | X          | X       | X           | X       |
| 30      | 113-150-* ①         | Top Rain Flashing                            | X          | X       | X           | X       | X          | X       | X           | X       |
| 30      | 113-359 ③           | Top Rain Flashing                            | X          | X       | X           | X       | X          | X       | X           | X       |
| 31      | S536-804            | Cond. Partition Block Off Plate              | X          | X       | X           | X       | X          | X       | X           | X       |
| 32      | S553-521-* ①        | Filter Door Assembly                         | X          | X       | X           | X       | X          | X       | X           | X       |
| 32      | S553-526 ②          | Filter Door Assembly                         | X          | X       | X           | X       | X          | X       | X           | X       |
| 32      | S553-528 ③          | Filter Door Assembly                         | X          | X       | X           | X       | X          | X       | X           | X       |
| 33      | 105-1302            | Grommet Retainer                             | X          | X       | X           | X       | X          | X       | X           | X       |
| 34      | 105-1324            | Close Off Angle                              | X          | X       | X           | X       | X          | X       | X           | X       |

① Exterior cabinet parts are manufactured with various paint color options. To ensure the proper paint color is received, include the complete model and serial number of the unit for which cabinet parts are being ordered.

② Exterior cabinet parts are manufactured from aluminum Code "A"

③ Exterior cabinet parts are manufactured from stainless steel Code "S"

# CABINET COMPONENTS

| Dwg No. | Part Number         | Description                                  | W60HA-A, B | W60HA-C | W60HADA, DB | W60HADC |
|---------|---------------------|--|------------|---------|-------------|---------|
| 1       | 127-425             | Lower Base                                   | X          | X       | X           | X       |
| 1       | 127-430 ③           | Lower Base                                   | X          | X       | X           | X       |
| 2       | S501-733-* ①        | Left Side                                    | X          | X       | X           | X       |
| 2       | S501-828 ②          | Left Side                                    | X          | X       | X           | X       |
| 2       | S501-735 ③          | Left Side                                    | X          | X       | X           | X       |
| 3       | S501-841-* ①        | Right Side                                   | X          | X       | X           | X       |
| 3       | S501-928 ②          | Right Side                                   | X          | X       | X           | X       |
| 3       | S501-929 ③          | Right Side                                   | X          | X       | X           | X       |
| 4       | S508-251            | Back   | X          | X       | X           | X       |
| 4       | S508-252 ②          | Back   | X          | X       | X           | X       |
| 4       | S508-253 ③          | Back   | X          | X       | X           | X       |
| 5       | S507-307-* ①        | Top  | X          | X       | X           | X       |
| 5       | S507-309 ②          | Top  | X          | X       | X           | X       |
| 5       | S507-310 ③          | Top  | X          | X       | X           | X       |
| 6       | S515-246-* ①        | Upper Front                                  | X          | X       | X           | X       |
| 6       | S514-280 ②          | Upper Front                                  | X          | X       | X           | X       |
| 6       | S514-253 ③          | Upper Front                                  | X          | X       | X           | X       |
| 7       | S553-522-* ①        | Vent Option Door                             | X          | X       | X           | X       |
| 7       | S553-529-* ①        | Vent Option Door with ERV                    | X          | X       | X           | X       |
| 7       | S553-525 ②          | Vent Option Door                             | X          | X       | X           | X       |
| 7       | S553-527 ③          | Vent Option Door                             | X          | X       | X           | X       |
| 8       | 118-085-* ①         | Condenser Grille                             | X          | X       | X           | X       |
| 8       | 118-087 ②           | Condenser Grille                             | X          | X       | X           | X       |
| 8       | 118-089 ③           | Condenser Grille                             | X          | X       | X           | X       |
| 9       | 118-086-* ①         | Side Grille                                  | 2          | 2       | 2           | 2       |
| 9       | 118-088 ②           | Side Grille                                  | 2          | 2       | 2           | 2       |
| 9       | 118-090 ③           | Side Grille                                  | 2          | 2       | 2           | 2       |
| 10      | S521X503            | Condenser Partition                          | X          | X       | X           | X       |
| 11      | S123-122            | Drain Pan                                    | X          | X       | X           | X       |
| 11      | S123-125 ②③         | Drain Pan                                    | X          | X       | X           | X       |
| 12      | 121X463             | Blower Partition                             | X          | X       | X           | X       |
| 13      | Control Panel Assy. | See Control Panel Assy. Drawing & Parts List | X          | X       | X           | X       |
| 14      | S132-277            | Control Panel Cover (Inner)                  | X          |         | X           |         |
| 14      | S132-278            | Control Panel Cover (Inner)                  |            | X       |             | X       |
| 15      | S533-279-* ①        | Control Panel Cover (Outer)                  | X          | X       | X           | X       |
| 15      | S533-273 ②          | Control Panel Cover (Outer)                  | X          | X       | X           | X       |
| 15      | S533-274 ③          | Control Panel Cover (Outer)                  | X          | X       | X           | X       |
| 16      | S153-218-* ①        | Disconnect Access Door                       | X          | X       | X           | X       |
| 16      | S153-387 ②          | Disconnect Access Door                       | X          | X       | X           | X       |
| 16      | S153-405 ③          | Disconnect Access Door                       | X          | X       | X           | X       |
| 17      | 125-070             | Fan Shroud                                   | X          | X       | X           | X       |
| 17      | 125-064 ③           | Fan Shroud                                   | X          | X       | X           | X       |
| 18      | 113-140             | Bottom Mounting Bracket                      | X          | X       | X           | X       |
| 19      | 137-209             | Fill   | X          | X       | X           | X       |
| 20      | BFAD-5              | Fresh Air Damper Assembly                    | X          | X       | X           | X       |
| 22      | 131X099             | Filter Tray                                  | X          | X       | X           | X       |
| 23      | 105X877             | Left Side Support                            | X          | X       | X           | X       |
| 24      | 147-046             | Left Evaporator Support                      | X          | X       | X           | X       |
| 25      | 135-377             | Raceway                                      | 2          | 2       | 2           | 2       |
| 26      | S111X034            | Outlet Air Frame Assembly                    | X          | X       | X           | X       |
| 27      | 105X878             | Right Side Support                           | X          | X       | X           | X       |
| 28      | S543-172-* ①        | Right Side Cover Plate (Outer)               | X          | X       | X           | X       |
| 28      | S543-176 ②          | Right Side Cover Plate (Outer)               | X          | X       | X           | X       |
| 28      | S543-177 ③          | Right Side Cover Plate (Outer)               | X          | X       | X           | X       |
| 29      | 135-129             | Heat Shield                                  | X          | X       | X           | X       |
| 30      | 113-150-* ①         | Top Rain Flashing                            | X          | X       | X           | X       |
| 30      | 113-359 ③           | Top Rain Flashing                            | X          | X       | X           | X       |
| 31      | S536-804            | Cond. Partition Block Off Plate              | X          | X       | X           | X       |
| 32      | S553-521-* ①        | Filter Door Assembly                         | X          | X       | X           | X       |
| 32      | S553-526 ②          | Filter Door Assembly                         | X          | X       | X           | X       |
| 32      | S553-528 ③          | Filter Door Assembly                         | X          | X       | X           | X       |
| 33      | 105-1302            | Grommet Retainer                             | X          | X       | X           | X       |
| 34      | 105-1324            | Close Off Angle                              | X          | X       | X           | X       |

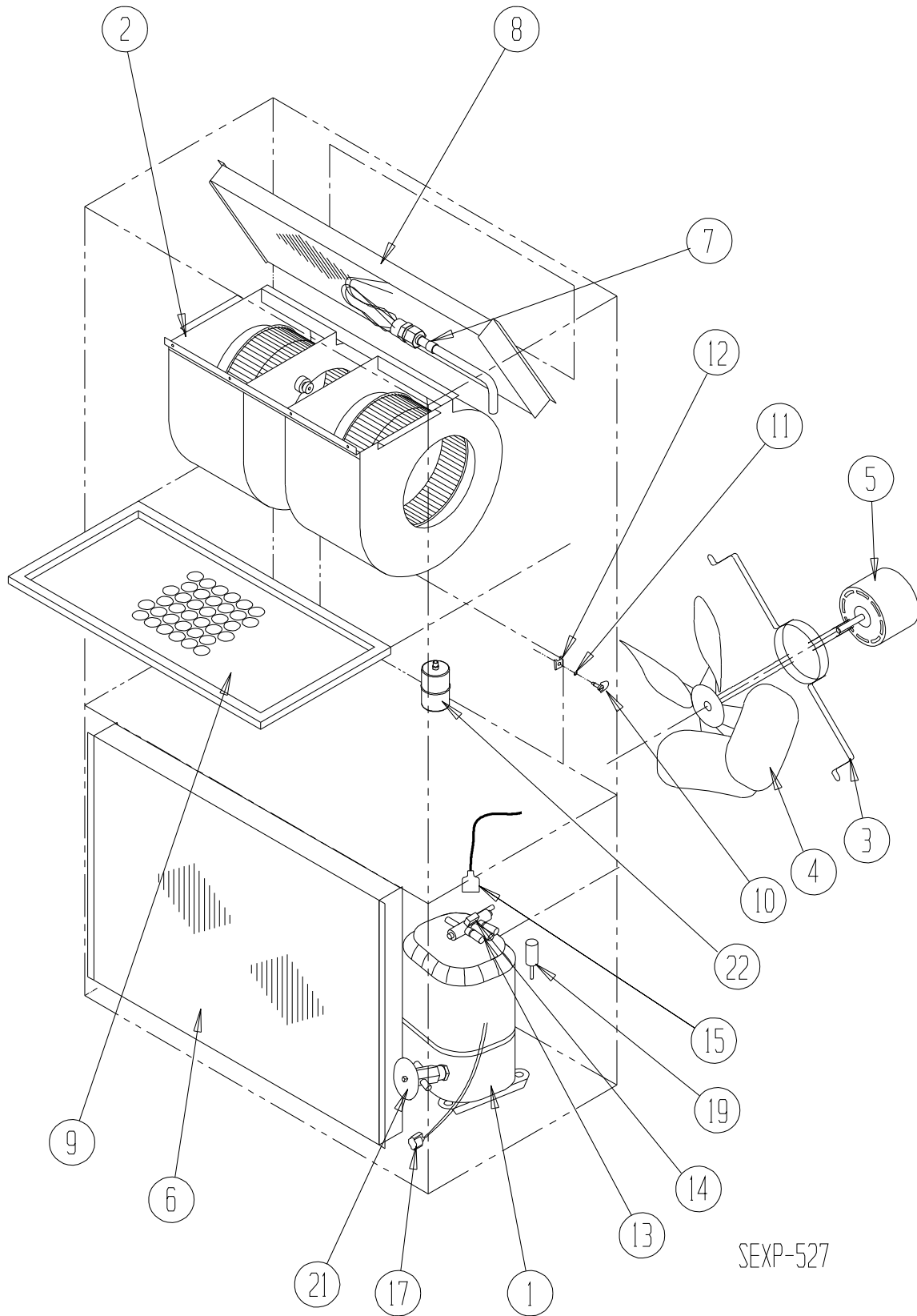
① Exterior cabinet parts are manufactured with various paint color options. To ensure the proper paint color is received, include the complete model and serial number of the unit for which cabinet parts are being ordered.

② Exterior cabinet parts are manufactured from aluminum Code "A"

③ Exterior cabinet parts are manufactured from stainless steel Code "S"

*This page intentionally left blank*

# FUNCTIONAL COMPONENTS - STANDARD UNITS



SEXP-527

# FUNCTIONAL COMPONENTS - STANDARD UNITS

| Dwg No. | Part Number  | Description                                   | W42HA-A | W42HA-B | W42HA-C | W48HA-A | W48HA-B | W48HA-C | W60HA-A | W60HA-B | W60HA-C |
|---------|--------------|---|---------|---------|---------|---------|---------|---------|---------|---------|---------|
| 1       | 8000-362     | Compressor                                    | X       |         |         |         |         |         |         |         |         |
| 1       | 8000-363     | Compressor                                    |         | X       |         |         |         |         |         |         |         |
| 1       | 8000-364     | Compressor                                    |         |         | X       |         |         |         |         |         |         |
| 1       | 8000-332     | Compressor                                    |         |         |         | X       |         |         |         |         |         |
| 1       | 8000-333     | Compressor                                    |         |         |         |         | X       |         |         |         |         |
| 1       | 8000-334     | Compressor                                    |         |         |         |         |         | X       |         |         |         |
| 1       | 8000-324     | Compressor                                    |         |         |         |         |         |         | X       |         |         |
| 1       | 8000-325     | Compressor                                    |         |         |         |         |         |         |         | X       |         |
| 1       | 8000-326     | Compressor                                    |         |         |         |         |         |         |         |         | X       |
| NS      | 3000-1222    | Molded Compressor Power Plug (1 PH)           | X       |         |         | X       |         |         | X       |         |         |
| NS      | 3000-1231    | Molded Compressor Power Plug (3 PH)           |         | X       | X       |         | X       | X       |         | X       | X       |
| 2       | S900-320     | Blower Assembly                               | X       | X       |         | X       | X       |         |         |         |         |
| 2       | S900-321     | Blower Assembly                               |         |         | X       |         |         | X       |         |         |         |
| 2       | S900-348-002 | Blower Assembly                               |         |         |         |         |         |         | X       | X       |         |
| 2       | S900-349-002 | Blower Assembly                               |         |         |         |         |         |         |         |         | X       |
| 3       | 8200-004     | Fan Motor Mount                               | X       | X       | X       | X       | X       | X       | X       | X       | X       |
| 4       | 5151-060     | Fan Blade                                     | X       | X       | X       | X       | X       | X       | X       | X       | X       |
| 5       | 8105-066     | Condenser Motor                               | X       | X       |         | X       | X       |         | X       | X       |         |
| 5       | 8105-030     | Condenser Motor                               |         |         | X       |         |         | X       |         |         | X       |
| 6       | 917-0290BX   | Outdoor Coil (Coil + Distributor)             | X       | X       | X       |         |         |         |         |         |         |
| 6       | 917-0292BX ① | Outdoor Coil - Coated (Coil + Distributor)    | O       | O       | O       |         |         |         |         |         |         |
| 6       | 917-0296BX   | Outdoor Coil (Coil + Distributor)             |         |         |         | X       | X       | X       |         |         |         |
| 6       | 917-0298BX ① | Outdoor Coil - Coated (Coil + Distributor)    |         |         |         | O       | O       | O       |         |         |         |
| 6       | 917-0302BX   | Outdoor Coil (Coil + Distributor)             |         |         |         |         |         |         | X       | X       | X       |
| 6       | 917-0304BX ① | Outdoor Coil - Coated                         |         |         |         |         |         |         | O       | O       | O       |
| 7       | 5625-148     | Cooling Distributor - Orifice                 | X       | X       | X       |         |         |         |         |         |         |
| 7       | 5625-149     | Cooling Distributor - Orifice                 |         |         |         | X       | X       | X       |         |         |         |
| 7       | 5625-150     | Cooling Distributor - Orifice                 |         |         |         |         |         |         | X       | X       | X       |
| 8       | 917-0289BX   | Indoor Coil (Evap + Distributor)              | X       | X       | X       |         |         |         |         |         |         |
| 8       | 917-0291BX ① | Indoor Coil - Coated (Evap + Distributor)     | O       | O       | O       |         |         |         |         |         |         |
| 8       | 917-0295     | Indoor Coil (Evap + Distributor)              |         |         |         | X       | X       | X       |         |         |         |
| 8       | 917-0297 ①   | Indoor Coil - Coated (Evap + Distributor)     |         |         |         | O       | O       | O       |         |         |         |
| 8       | 917-0301     | Indoor Coil (Evap + Distributor)              |         |         |         |         |         |         | X       | X       | X       |
| 8       | 917-0303 ①   | Indoor Coil - Coated (Evap + Distributor)     |         |         |         |         |         |         | O       | O       | O       |
| 9       | 7004-016     | Air Filter 1" Throw-Away (20x30x1)            | X       | X       | X       | X       | X       | X       | X       | X       | X       |
| 9       | 7003-030     | Air Filter 1" Washable (20x30x1)              | X       | X       | X       | X       | X       | X       | X       | X       | X       |
| 9       | 7004-027     | Air Filter 2" Pleated (20x30x2)               | X       | X       | X       | X       | X       | X       | X       | X       | X       |
| 10      | 1171-022     | 1/4 Turn Fastener                             | X       | X       | X       | X       | X       | X       | X       | X       | X       |
| 11      | 1171-024     | 1/4 Turn Retainer                             | X       | X       | X       | X       | X       | X       | X       | X       | X       |
| 12      | 1171-023     | 1/4 Turn Receptacle                           | X       | X       | X       | X       | X       | X       | X       | X       | X       |
| 13      | 5650-040     | Reversing Valve 7/8" X 1/2" w/24V Solenoid    | X       | X       | X       | X       | X       | X       | X       | X       | X       |
| 14      | 5650-046     | Reversing Valve Solenoid                      | X       | X       | X       | X       | X       | X       | X       | X       | X       |
| 15      | 5650-037     | Molded Plug for Rev. and Dehum. Valves        | X       | X       | X       | X       | X       | X       | X       | X       | X       |
| 17      | 8408-044     | Defrost Thermistor Sensor                     | X       | X       | X       | X       | X       | X       | X       | X       | X       |
| 19      | 8406-142     | High Pressure Switch (650#)                   | X       | X       | X       | X       | X       | X       | X       | X       | X       |
| 19      | 8406-135     | Low Pressure Switch (14#)                     | X       | X       | X       | X       | X       | X       | X       | X       | X       |
| 19      | 8406-112 ①   | Low Ambient Control Switch (350/225#)         | O       | O       | O       | O       | O       | O       | O       | O       | O       |
| 21      | 5651-210     | Heating Expansion Valve                       | X       | X       | X       |         |         |         |         |         |         |
| 21      | 5651-225     | Heating Expansion Valve                       |         |         |         | X       | X       | X       |         |         |         |
| 21      | 5651-211     | Heating Expansion Valve                       |         |         |         |         |         |         | X       | X       | X       |
| 22      | 5201-020     | Bi-Flow Liquid Line Filter Drier              | X       | X       | X       | X       | X       | X       | X       | X       | X       |
| NS      | 5451-024     | Tubing Isolation Grommet                      | 2       | 2       | 2       | 2       | 2       | 2       | 2       | 2       | 2       |
| NS      | 6031-009     | Coremax Valve Core (refrigerant service port) | 2       | 2       | 2       | 2       | 2       | 2       | 2       | 2       | 2       |
| NS      | 1171-028     | Filter Door Clip                              | 2       | 2       | 2       | 2       | 2       | 2       | 2       | 2       | 2       |
| NS      | 1171-057     | Filter Door Screw                             | 2       | 2       | 2       | 2       | 2       | 2       | 2       | 2       | 2       |
| NS      | 1171-027     | Filter Door Screw Retainer                    | 2       | 2       | 2       | 2       | 2       | 2       | 2       | 2       | 2       |

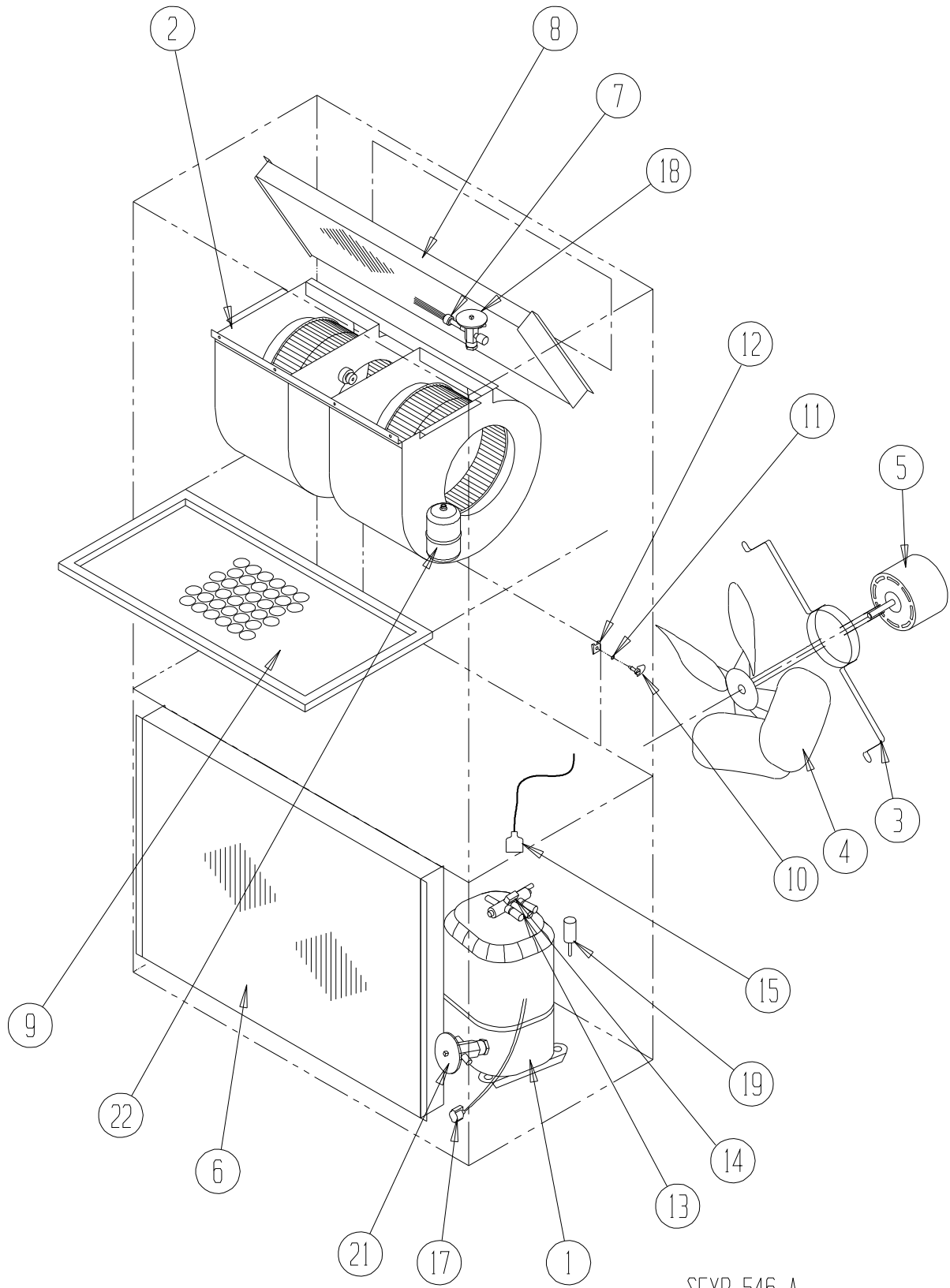
NS = Not shown

① Optional on these models

X = Standard

O = Optional

# FUNCTIONAL COMPONENTS - DEHUMIDIFICATION UNITS



SEXP-546 A



# FUNCTIONAL COMPONENTS – DEHUMIDIFICATION UNITS

| Dwg No. | Part Number  | Description                                     | W42HADA | W42HADB | W42HADC | W48HADA | W48HADB | W48HADC | W60HADA | W60HADB | W60HADC |
|---------|--------------|---|---------|---------|---------|---------|---------|---------|---------|---------|---------|
| 1       | 8000-362     | Compressor                                      | X       |         |         |         |         |         |         |         |         |
| 1       | 8000-363     | Compressor                                      |         | X       |         |         |         |         |         |         |         |
| 1       | 8000-364     | Compressor                                      |         |         | X       |         |         |         |         |         |         |
| 1       | 8000-332     | Compressor                                      |         |         |         | X       |         |         |         |         |         |
| 1       | 8000-333     | Compressor                                      |         |         |         |         | X       |         |         |         |         |
| 1       | 8000-334     | Compressor                                      |         |         |         |         |         | X       |         |         |         |
| 1       | 8000-324     | Compressor                                      |         |         |         |         |         |         | X       |         |         |
| 1       | 8000-325     | Compressor                                      |         |         |         |         |         |         |         | X       |         |
| 1       | 8000-326     | Compressor                                      |         |         |         |         |         |         |         |         | X       |
| NS      | 3000-1222    | Molded Compressor Power Plug (1 PH)             | X       |         |         | X       |         |         | X       |         |         |
| NS      | 3000-1231    | Molded Compressor Power Plug (3 PH)             |         | X       | X       |         | X       | X       |         | X       | X       |
| 2       | S900-320     | Blower Assembly                                 | X       | X       |         |         |         |         |         |         |         |
| 2       | S900-321     | Blower Assembly                                 |         |         | X       |         |         |         |         |         |         |
| 2       | S900-185     | Blower Assembly                                 |         |         |         | X       | X       |         |         |         |         |
| 2       | S900-186     | Blower Assembly                                 |         |         |         |         | X       |         |         |         |         |
| 2       | S900-348-002 | Blower Assembly                                 |         |         |         |         |         |         | X       | X       |         |
| 2       | S900-349-002 | Blower Assembly                                 |         |         |         |         |         |         |         |         | X       |
| 3       | 8200-004     | Fan Motor Mount                                 | X       | X       | X       | X       | X       | X       | X       | X       | X       |
| 4       | 5151-060     | Fan Blade                                       | X       | X       | X       | X       | X       | X       | X       | X       | X       |
| 5       | 8105-066     | Condenser Motor                                 | X       | X       |         | X       | X       |         | X       | X       |         |
| 5       | 8105-030     | Condenser Motor                                 |         |         | X       |         |         | X       |         |         | X       |
| 6       | 917-0290BX   | Outdoor Coil (Coil + Distributor)               | X       | X       | X       |         |         |         |         |         |         |
| 6       | 917-0292BX ① | Outdoor Coil - Coated (Coil + Distributor)      | O       | O       | O       |         |         |         |         |         |         |
| 6       | 917-0296BX   | Outdoor Coil (Coil + Distributor)               |         |         |         | X       | X       | X       |         |         |         |
| 6       | 917-0298BX ① | Outdoor Coil - Coated (Coil + Distributor)      |         |         |         | O       | O       | O       |         |         |         |
| 6       | 917-0302BX   | Outdoor Coil (Coil + Distributor)               |         |         |         |         |         |         | X       | X       | X       |
| 6       | 917-0304BX ① | Outdoor Coil - Coated                           |         |         |         |         |         |         | O       | O       | O       |
| 7       | 5625-015     | Cooling Distributor - TXV                       | X       | X       | X       | X       | X       | X       |         |         |         |
| 7       | 5625-115     | Cooling Distributor - TXV                       |         |         |         |         |         |         | X       | X       | X       |
| 8       | 917-0273BX   | Indoor Coil (Evap + Distributor)                | X       | X       | X       |         |         |         |         |         |         |
| 8       | 917-0294BX ① | Indoor Coil - Coated (Evap + Distributor)       | O       | O       | O       |         |         |         |         |         |         |
| 8       | 917-0272     | Indoor Coil (Evap + Distributor)                |         |         |         | X       | X       | X       |         |         |         |
| 8       | 917-0300 ①   | Indoor Coil - Coated (Evap + Distributor)       |         |         |         | O       | O       | O       |         |         |         |
| 8       | 917-0271     | Indoor Coil (Evap + Distributor)                |         |         |         |         |         |         | X       | X       | X       |
| 8       | 917-0306 ①   | Indoor Coil - Coated (Evap + Distributor)       |         |         |         |         |         |         | O       | O       | O       |
| 9       | 7004-016     | Air Filter 1" Throw-Away (20x30x1)              | X       | X       | X       | X       | X       | X       | X       | X       | X       |
| 9       | 7003-030     | Air Filter 1" Washable (20x30x1)                | X       | X       | X       | X       | X       | X       | X       | X       | X       |
| 9       | 7004-027     | Air Filter 2" Pleated (20x30x2)                 | X       | X       | X       | X       | X       | X       | X       | X       | X       |
| 10      | 1171-022     | 1/4 Turn Fastener                               | X       | X       | X       | X       | X       | X       | X       | X       | X       |
| 11      | 1171-024     | 1/4 Turn Retainer                               | X       | X       | X       | X       | X       | X       | X       | X       | X       |
| 12      | 1171-023     | 1/4 Turn Receptacle                             | X       | X       | X       | X       | X       | X       | X       | X       | X       |
| 13      | 5650-040     | Reversing Valve 7/8" X 1/2" w/24V Solenoid      | X       | X       | X       | X       | X       | X       | X       | X       | X       |
| 14      | 5650-046     | Reversing Valve Solenoid                        | X       | X       | X       | X       | X       | X       | X       | X       | X       |
| 15      | 5650-037     | Molded Plug for Rev. and Dehum. Valves          | X       | X       | X       | X       | X       | X       | X       | X       | X       |
| NS      | 5650-051     | Dehumidification Valve 1/2 x 1/2 w/24V Solenoid | X       | X       | X       | X       | X       | X       | X       | X       | X       |
| NS      | 5651-219     | Dehum Check Valve                               | 2       | 2       | 2       | 2       | 2       | 2       | 2       | 2       | 2       |
| 17      | 8408-044     | Defrost Thermistor Sensor                       | X       | X       | X       | X       | X       | X       | X       | X       | X       |
| 18      | 5651-229     | Cooling Expansion Valve                         | X       | X       | X       |         |         |         |         |         |         |
| 18      | 5651-230     | Cooling Expansion Valve                         |         |         |         | X       | X       | X       |         |         |         |
| 18      | 5651-212     | Cooling Expansion Valve                         |         |         |         |         |         |         | X       | X       | X       |
| 19      | 8406-142     | High Pressure Switch (650#)                     | X       | X       | X       | X       | X       | X       | X       | X       | X       |
| 19      | 8406-135     | Low Pressure Switch (14#)                       | X       | X       | X       | X       | X       | X       | X       | X       | X       |
| 19      | 8406-112 ①   | Low Ambient Control Switch (350/225#)           | O       | O       | O       | O       | O       | O       | O       | O       | O       |
| 21      | 5651-210     | Heating Expansion Valve                         | X       | X       | X       |         |         |         |         |         |         |
| 21      | 5651-225     | Heating Expansion Valve                         |         |         |         | X       | X       | X       |         |         |         |
| 21      | 5651-211     | Heating Expansion Valve                         |         |         |         |         |         |         | X       | X       | X       |
| 22      | 5201-020     | Bi-Flow Liquid Line Filter Drier                | X       | X       | X       | X       | X       | X       | X       | X       | X       |
| NS      | 5451-024     | Tubing Isolation Grommet                        | 2       | 2       | 2       | 2       | 2       | 2       | 2       | 2       | 2       |
| NS      | 6031-009     | Coremax Valve Core (refrigerant service port)   | 2       | 2       | 2       | 2       | 2       | 2       | 2       | 2       | 2       |
| NS      | 1171-028     | Filter Door Clip                                | 2       | 2       | 2       | 2       | 2       | 2       | 2       | 2       | 2       |
| NS      | 1171-057     | Filter Door Screw                               | 2       | 2       | 2       | 2       | 2       | 2       | 2       | 2       | 2       |
| NS      | 1171-027     | Filter Door Screw Retainer                      | 2       | 2       | 2       | 2       | 2       | 2       | 2       | 2       | 2       |

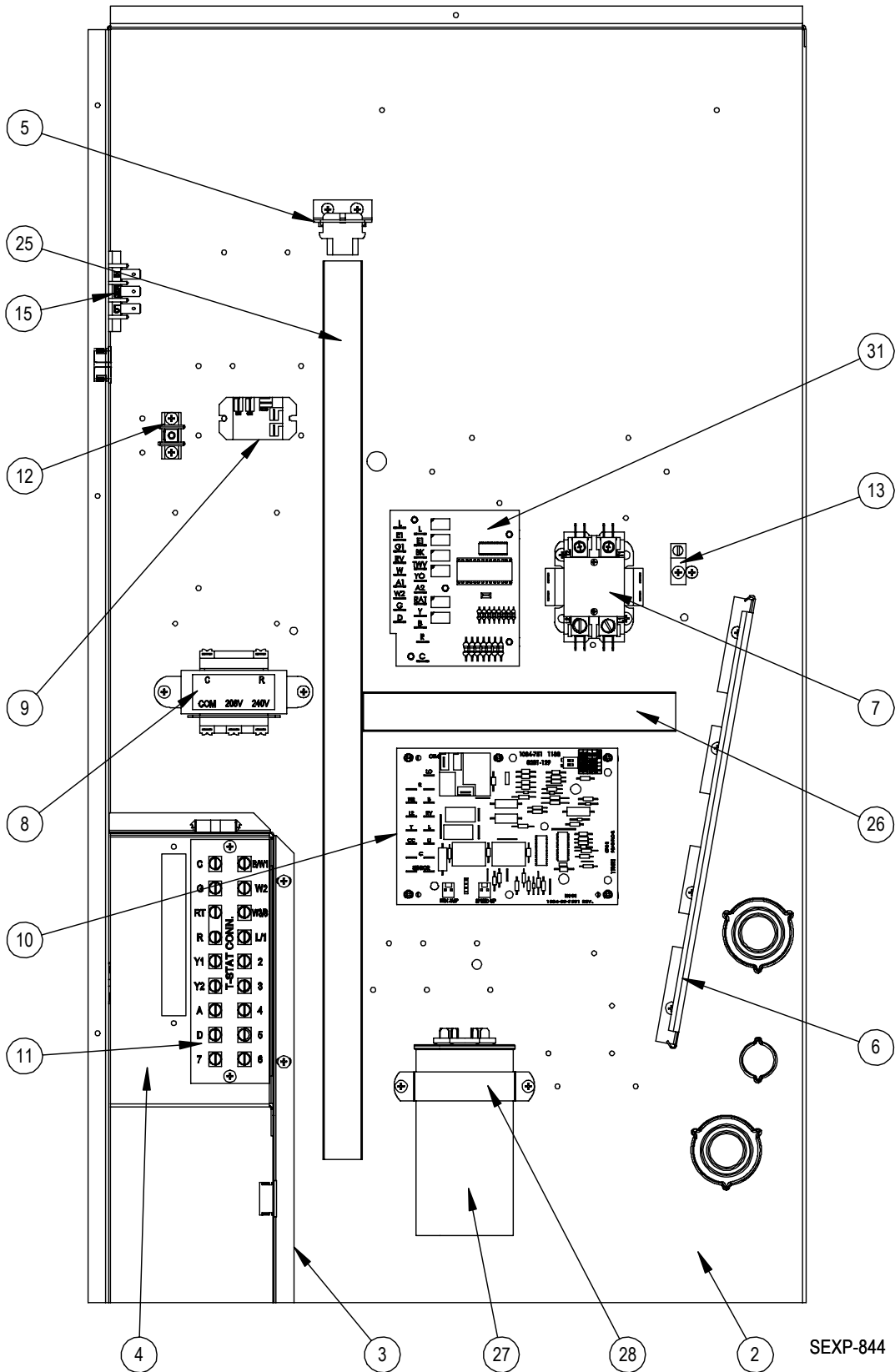
NS = Not shown

① Optional on these models

X = Standard

O = Optional

# CONTROL PANEL - A VOLTAGE MODELS

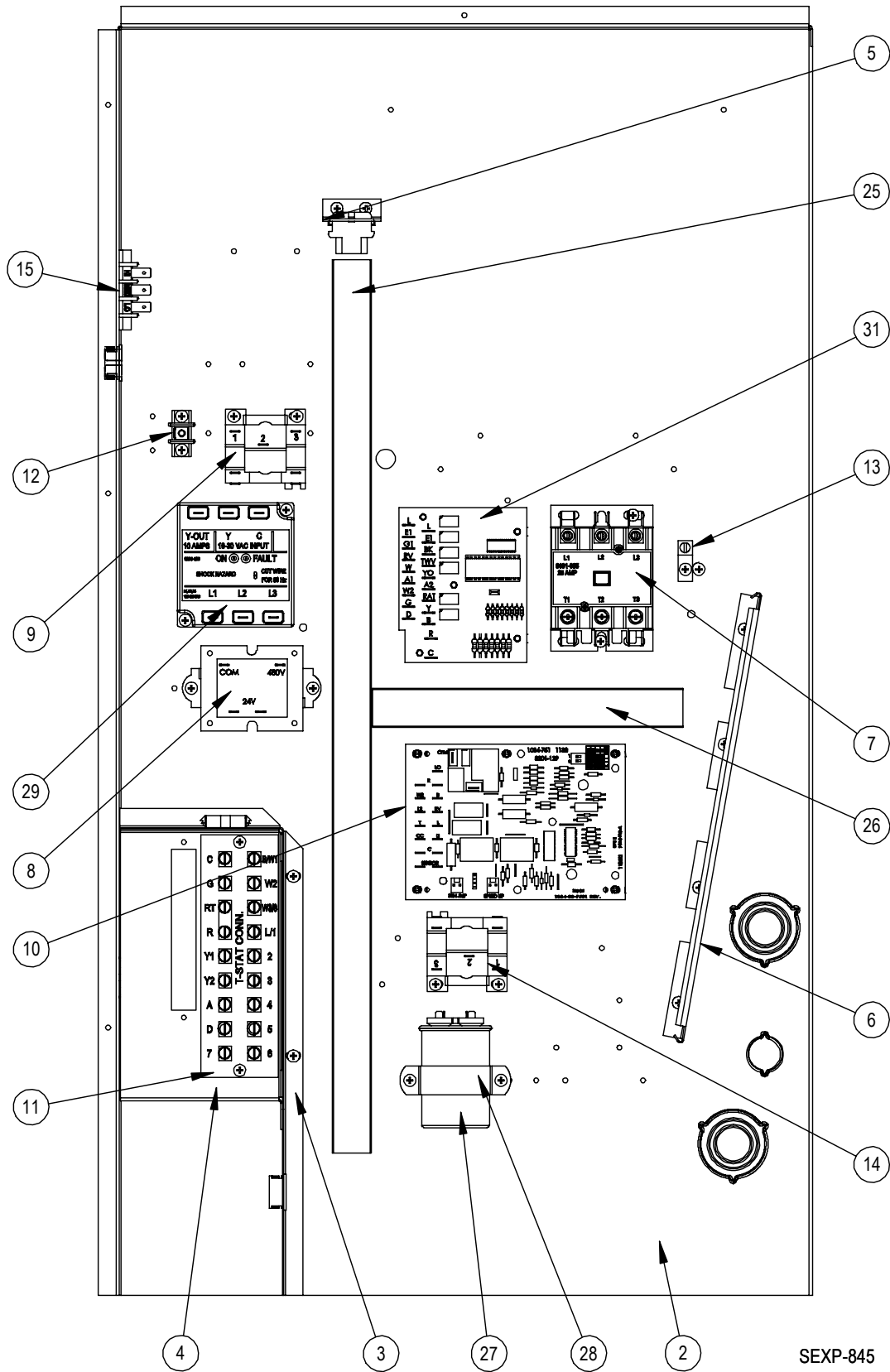


SEXP-844

## CONTROL PANEL - A VOLTAGE MODELS

| Dwg No. | Part Number   | Description   | W42HA-A | W42HADA | W48HA-A | W48HADA | W60HA-A | W60HADA |
|---------|---------------|---|---------|---------|---------|---------|---------|---------|
| 2       | 117X373       | Control Panel - RH  | X       | X       | X       | X       | X       | X       |
| 3       | 117X371       | Low Voltage Box - RH  | X       | X       | X       | X       | X       | X       |
| 4       | 117X372       | Low Voltage Partition - RH  | X       | X       | X       | X       | X       | X       |
| 5       | 141-443       | Plug Support Bracket  | X       | X       | X       | X       | X       | X       |
| 6       | 135-122       | Wire Shield   | X       | X       | X       | X       | X       | X       |
| 7       | 8401-034      | Contactora 2-Pole 40 Amp  | X       | X       | X       | X       | X       | X       |
| 8       | 8407-035      | Transformer 208-240/24 VAC 50 VA  | X       | X       | X       | X       | X       | X       |
| 9       | 8201-130      | Blower Relay, SPDT  | X       | X       | X       | X       | X       | X       |
| 10      | 8201-129      | Defrost Logic Control   | X       | X       | X       | X       | X       | X       |
| 11      | 8607-044      | Low Voltage Terminal Strip  | X       | X       | X       | X       | X       | X       |
| 12      | 8607-041      | Park Terminal   | X       | X       | X       | X       |         |         |
| 13      | 8611-006      | Ground Lug  | X       | X       | X       | X       | X       | X       |
| 15      | 8607-042      | Blower Speed Terminal   |         |         |         |         | X       | X       |
| 25      | 8611-140-2300 | 2-1/4" X 1" Cable Duct X 23   | X       | X       | X       | X       | X       | X       |
| 26      | 8611-140-0800 | 2-1/4" X 1" Cable Duct X 8"   | X       | X       | X       | X       | X       | X       |
| 27      | 8552-079      | Capacitor 45+10/370V  | X       |         |         |         |         | X       |
| 27      | 8552-089      | Capacitor 70+10/370V  |         | X       | X       | X       |         |         |
| 27      | 8552-058      | Capacitor 80+10/370V  |         |         |         |         | X       |         |
| 28      | 8550-008      | Capacitor Bracket 2.5" Round  | X       | X       | X       | X       |         |         |
| 31      | 8201-113      | Dehum Logic Control   |         | X       |         | X       |         | X       |
| NS      | S910-2004     | Complete Low Voltage Box Assembly<br>(Sheet Metal, LVTS & Wire Harness) | X       | X       | X       | X       | X       | X       |

# CONTROL PANEL - B AND C VOLTAGE MODELS

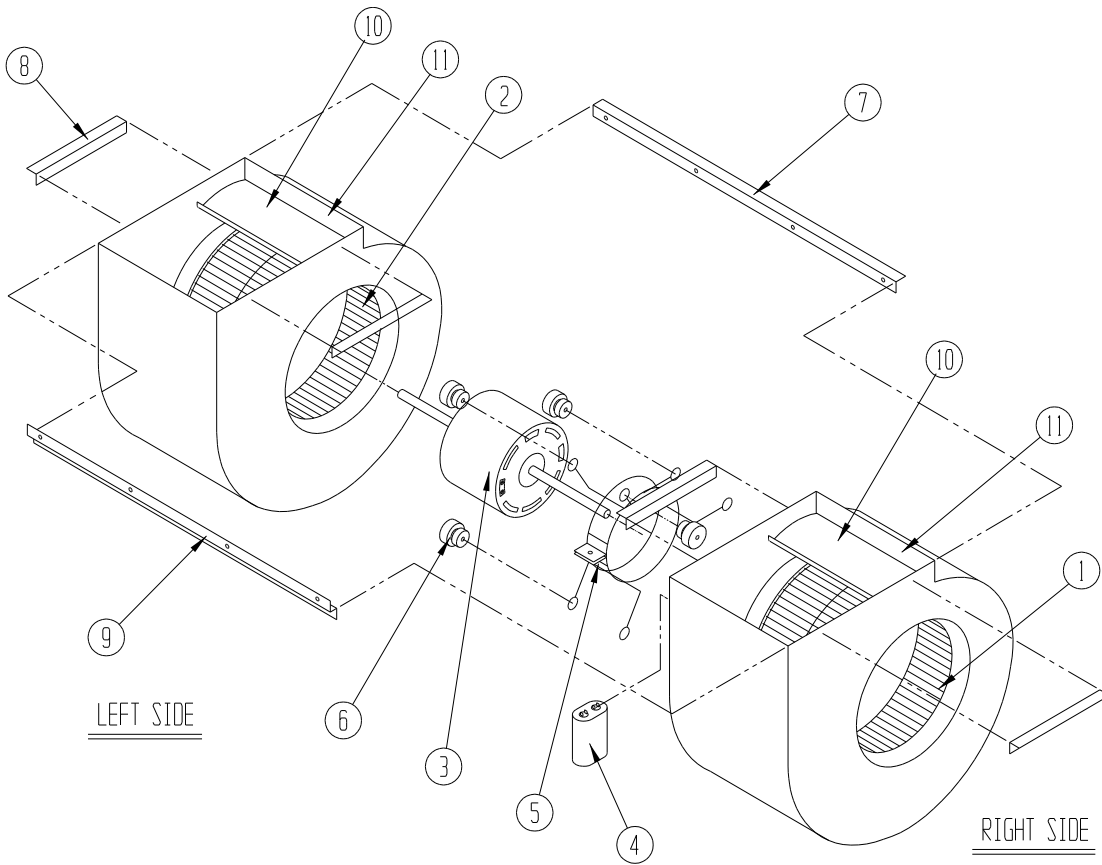


SEXP-845

## CONTROL PANEL - B AND C VOLTAGE MODELS

| Dwg No. | Part Number   | Description  | W42HA-B | W42HA-C | W42HADB | W42HADC | W48HA-B | W48HA-C | W48HADB | W48HADC | W60HA-B | W60HA-C | W60HADB | W60HADC |
|---------|---------------|--|---------|---------|---------|---------|---------|---------|---------|---------|---------|---------|---------|---------|
| 2       | 117X373       | Control Panel - RH   | X       | X       | X       | X       | X       | X       | X       | X       | X       | X       | X       | X       |
| 3       | 117X371       | Low Voltage Box - RH   | X       | X       | X       | X       | X       | X       | X       | X       | X       | X       | X       | X       |
| 4       | 117X372       | Low Voltage Partition - RH   | X       | X       | X       | X       | X       | X       | X       | X       | X       | X       | X       | X       |
| 5       | 141-443       | Plug Support Bracket   | X       | X       | X       | X       | X       | X       | X       | X       | X       | X       | X       | X       |
| 6       | 135-122       | Wire Shield  | X       | X       | X       | X       | X       | X       | X       | X       | X       | X       | X       | X       |
| 7       | 8401-035      | Contactor 3-Pole 25 Amp  | X       | X       | X       | X       | X       | X       | X       | X       | X       | X       | X       | X       |
| 8       | 8407-035      | Transformer 208-240/24 VAC 50 VA                                     | X       |         | X       |         | X       |         | X       |         | X       |         | X       |         |
| 8       | 8407-042      | Transformer 480/24 VAC 50 VA   |         | X       |         | X       |         | X       |         | X       |         | X       |         | X       |
| 9       | 8201-132      | Blower Relay, SPDT, 3 FLA@480V                                       |         | X       |         | X       |         | X       |         | X       |         | X       |         | X       |
| 9       | 8201-130      | Blower Relay, SPDT   | X       |         | X       |         | X       |         | X       |         | X       |         | X       | X       |
| 10      | 8201-129      | Defrost Logic Control  | X       | X       | X       | X       | X       | X       | X       | X       | X       | X       | X       | X       |
| 11      | 8607-044      | Low Voltage Terminal Strip   | X       | X       | X       | X       | X       | X       | X       | X       | X       | X       | X       | X       |
| 12      | 8607-041      | Park Terminal  | X       | X       | X       | X       | X       | X       | X       | X       |         |         |         |         |
| 13      | 8611-006      | Ground Lug   | X       | X       | X       | X       | X       | X       | X       | X       | X       | X       | X       | X       |
| 14      | 8201-032      | Relay, SPDT 480V   |         | X       |         | X       |         | X       |         | X       |         | X       |         | X       |
| 15      | 8607-042      | Blower Speed Terminal  |         |         |         |         |         |         |         |         | X       | X       | X       | X       |
| 25      | 8611-140-2300 | 2-1/4" X 1" Cable Duct X 23  | X       | X       | X       | X       | X       | X       | X       | X       | X       | X       | X       | X       |
| 26      | 8611-140-0800 | 2-1/4" X 1" Cable Duct X 8"  | X       | X       | X       | X       | X       | X       | X       | X       | X       | X       | X       | X       |
| 27      | 8552-005      | Capacitor 10MFD 370V 1-1/4" Oval                                     | X       |         | X       |         | X       |         | X       |         | X       |         | X       |         |
| 27      | 8552-026      | Capacitor 15MFD 370V 1-3/4" Round                                    |         | X       |         | X       |         | X       |         | X       |         | X       |         | X       |
| 28      | 8550-003      | Capacitor Bracket 1-1/4" Oval  | X       |         | X       |         | X       |         | X       |         | X       |         | X       |         |
| 28      | 8550-006      | Capacitor Bracket 1-3/4" Round                                       |         | X       |         | X       |         | X       |         | X       |         | X       |         | X       |
| 29      | 8201-126      | 3 Phase Line Monitor 50/60HZ   | X       | X       | X       | X       | X       | X       | X       | X       | X       | X       | X       | X       |
| 31      | 8201-113      | Dehum Logic Control  |         |         | X       | X       |         |         | X       | X       |         |         | X       | X       |
| NS      | S910-2004     | Complete Low Voltage Box Assembly (Sheet Metal, LVTS & Wire Harness) | X       | X       | X       | X       | X       | X       | X       | X       | X       | X       | X       | X       |

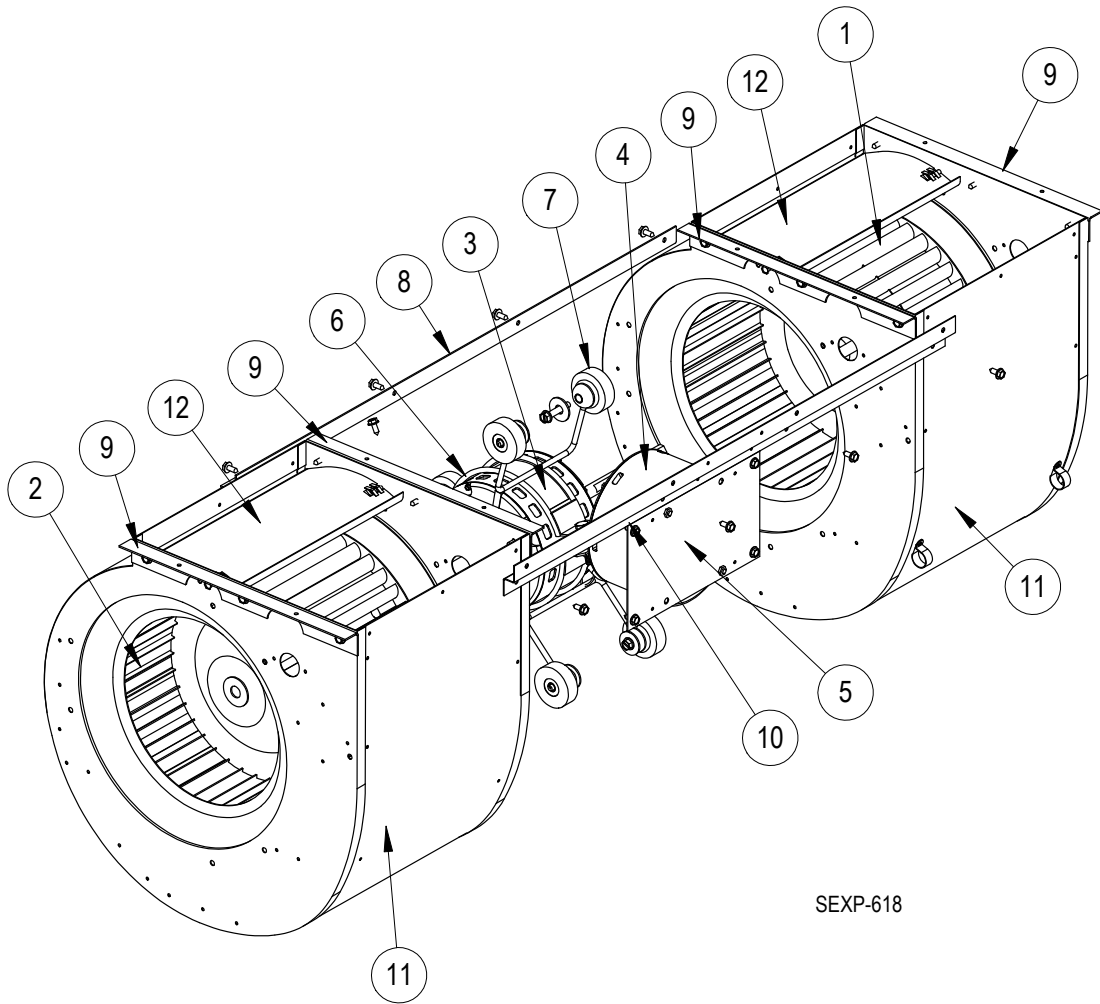
# BLOWER ASSEMBLY



SEXP-178

| Dwg No. | Part Number | Description            | S900-320 | S900-321 | S900-185 | S900-186 |
|---------|-------------|------------------------|----------|----------|----------|----------|
| 1       | 5152-011    | 10 Inch Wheel (CW)     | X        | X        | X        | X        |
| 1       | 5152-057    | 9 Inch Wheel (CW)      | X        | X        |          |          |
| 2       | 5152-012    | 10 Inch Wheel (CW)     | X        | X        | X        | X        |
| 2       | 5152-058    | 9 Inch Wheel (CW)      | X        | X        |          |          |
| 3       | 8105-061    | Blower Motor (230/208) | X        |          |          |          |
| 3       | 8105-062    | Blower Motor (460)     |          | X        |          |          |
| 3       | 8106-046    | Blower Motor (230/208) |          |          | X        |          |
| 3       | 8106-025    | Blower Motor (460)     |          |          |          | X        |
| 4       | 8552-091    | Capacitor              | X        | X        | X        |          |
| 4       | 8552-005    | Capacitor              |          |          |          | X        |
| 5       | 8200-040    | Motor Mount            | X        | X        | X        | X        |
| 6       | 5451-011    | Grommets               | 6        | 6        | 6        | 6        |
| 7       | 105-881     | Back Brace             | X        | X        | X        | X        |
| 8       | 105-880     | Side Angle             | 4        | 4        | 4        | 4        |
| 9       | 103-389     | Front Brace            | X        | X        | X        | X        |
| 10      | 151-101     | Housing                | 2        | 2        | 2        | 2        |
| 11      | 144-166     | Diffuser               | 2        | 2        | 2        | 2        |

# BLOWER ASSEMBLY



SEXP-618

| Dwg. No. | Part Number    | Description                      | S900-348-002 | S900-349-002 |
|----------|----------------|----------------------------------|--------------|--------------|
| 1        | 5152-011       | 10-Inch Wheel (CW)               | X            | X            |
| 2        | 5152-012       | 10-Inch Wheel (CCW)              | X            | X            |
| 3        | S8107-019-0138 | 3/4 HP 208/230V Programmed Motor | X            |              |
| 3        | S8107-026-0139 | 3/4 HP 460V Programmed Motor     |              | X            |
| 4        | C8107-019-0135 | Programmed Motor Control Only    | X            |              |
| 4        | C8107-026-0136 | Programmed Motor Control Only    |              | X            |
| 5        | 112-580        | Blower Motor Control Bracket     | X            | X            |
| 6        | 8200-040       | Motor Mount                      | X            | X            |
| 7        | 5451-011       | Grommets                         | 6            | 6            |
| 8        | 105-881        | Back Brace                       | X            | X            |
| 9        | 105-880        | Side Angle                       | 4            | 4            |
| 10       | 103-389        | Front Brace                      | X            | X            |
| 11       | 151-101        | Housing                          | 2            | 2            |
| 12       | 144-166        | Diffuser                         | 2            | 2            |